

Service Bulletin

Date: May 2004

Bulletin No: 16 002 04 (009)

BMW Motorrad USA

Subject: Advance Notice of Recall
Possible Fuel Pump Flange Leak, F 650 CS

Operating Manager

Sales Department

Accessory Department

Parts Department

Service Department

Reference: 16 17/2004

Under the National Traffic and Motor Vehicle Safety Act of 1966, as amended, if there has been a recall campaign, dealers must assure that all new vehicles and new items of replacement equipment are free of safety defects and comply with all applicable Federal Motor Vehicle Safety Standards at the time of delivery to the customer. This means that dealers may not deliver new motor vehicles or new items of replacement equipment to consumers unless the safety defect for noncompliance has been remedied before delivery.

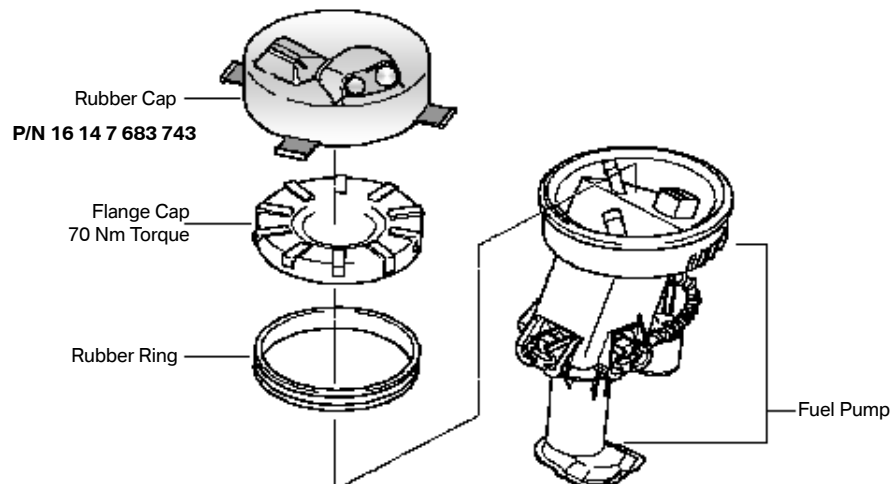
Topic: Due to the effects of acid, cracks and possible fuel leaks in the area of the fuel pump flange may result.

- Cause:**
1. Using non-approved cleaning agents that contain acid.
 2. The pump flange coming into contact with the battery acid during battery maintenance or battery filling.

Production Measures: A rubber cap will be fitted to protect the flange starting with VIN ZH16560.

Model	First VIN in range possibly affected	Last VIN in range possibly affected
VIN Range F 650 CS	ZH15000	ZH16559

- Service Measures:**
1. Check the tightening torque of the fuel pump flange cap. Tighten the Flange Cap to 70Nm using BMW Special Tool P/N 90 88 6 161 021.
 2. Fit the Protective Rubber Cap, Part Number 16 14 7 683 743.



Warranty Claim: For warranty reimbursement, enter a campaign claim using the Work Package and special claim keys noted in the chart below.

Defect Code: 00 00 16 32 00
Description: Rubber Cap, Fuel Pump Flange

Work Package 1:
Flat Rate Code: 00 60 607
Description: Checking torque tightness of Flange Cap and installing Protective Rubber Cap.
Flat Rate Units: 4 FRU

Part Number: 16 14 7 683 743
Description: Protective Rubber Cap
Qty: 1

The current owner of each F 650 CS motorcycle affected by this recall will be notified by a first class letter describing the details of the recall. In this letter, each customer will be asked to contact the BMW motorcycle retailer of his choice, making a service appointment for the completion of the updates called for this recall.

Contact : Pat Raymond (201) 307 4261
Service and Technical Manager pat.raymond@bmwna.com
BMW Motorrad USA