

Service Bulletin

Date: 13 001 04 (012)

Bulletin No:

BMW Motorrad USA

Subject: Inspection/Replacement of air filter

Details: During January 2004 production of the F 650 GS / F 650 Dakar, a number of defective air filters were installed. The blue foam frame maybe cracked / torn which may cause some pieces to fall into the filter chamber and unfiltered air may be drawn in.

Service Measures: During the pre-delivery or 600 mile inspection, please complete the following procedures:

- Remove the air filter element.
- Regardless of condition, replace filter elements with the date of production **30-04-03** or **03-06-03** with a new filter element. The illustration shows the location where the date is stamped on the filter.

Operating Manager

Sales Department

Accessory Department

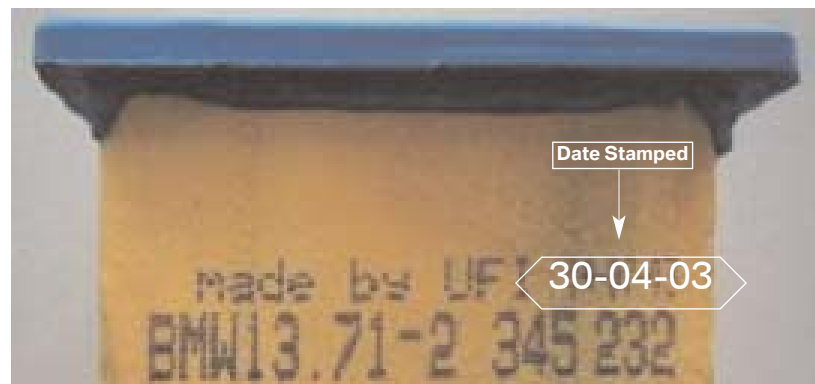
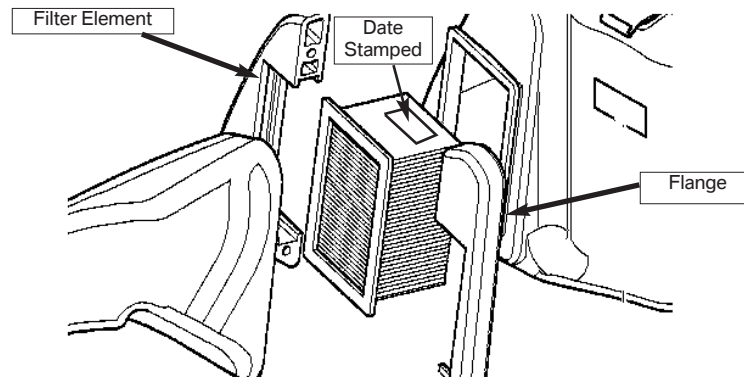
Parts Department

Service Department

Reference:13 19/2004

Vehicle Identification Numbers affected:

Models		From	To
F 650 GS	US	ZL40003	ZL40344
F 650 GS Dakar	US	ZL45002	ZL45159



Service Measures: In individual cases, the frame of the filter may also have been cut or damaged during the installation of the air intake during production. In these cases please be careful as the air intake has very sharp edges in places around the flange.

If cut filter elements are found, we recommend filing down smooth the critical edges of the intake. The tooling for this part has been modified to prevent future damage to filter elements.

Warranty Information: For warranty reimbursement, enter a regular claim using the special claim keys noted in the chart below:

Defect Code:	00 13 12 00 00
Description:	Inspection of Air Filter Element
Flat Rate Code:	+ 13 72 531
Description:	Removal and installation or replacement of air filter element.
FRU:	4
Part Number:	13 71 2 345 232
Description:	Air Filter Element
Qty:	1
Sublet Code:	4
Description:	File smooth the edges of the air intake.
Amount:	\$5.00

Contact : Pat Raymond (201) 307 4261
Service and Technical Manager pat.raymond@bmwna.com
BMW Motorrad USA